

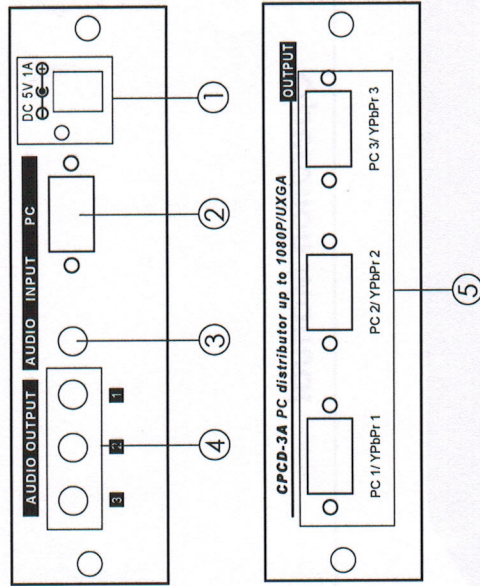
## Introduction

Cypress CPCD-3A is a high performance PC/Component distributor with stereo audio. It is designed to connect one PC or HDTV signal source with audio to 3 PC or HDTV displays.

## Features

- \* Supports either PC (RGB) or HDTV (YPbPr) input signal.
- \* Accepts one PC or HD component input and split it into 3 buffered and identical outputs.
- \* Supports stereo audio input and split it to 3 identical outputs via 3.5mm mini-stereo connector.
- \* High video signal bandwidth (480MHz/-3dB) supports PC/HDTV resolution up to UXGA/1080p.
- \* Ideal for presentation and home theater application.
- \* Plug and play, easy to install.

## Operation Controls and Functions



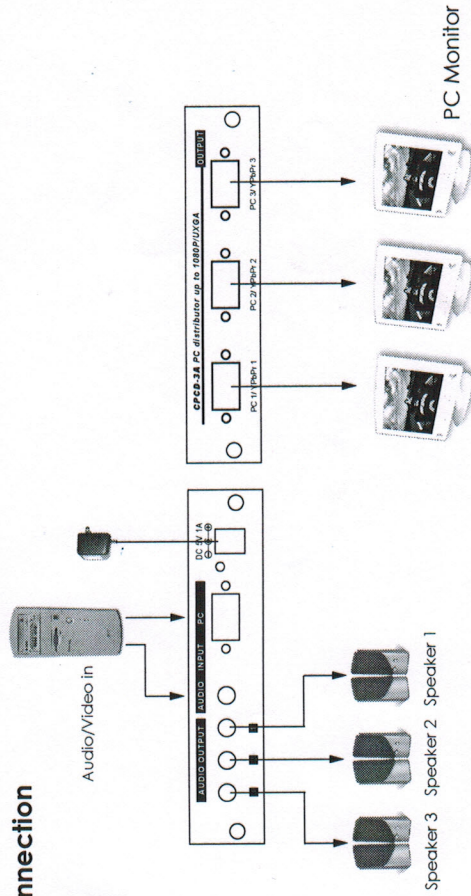
- 1. Power Input:** Plug the supplied 5VDC power supply into the unit and the LED will illuminate when it is connected.
- 2. Video input:** Connect to the video output of your source devices such as PC or DVD player by using the HD-15 to HD-15 cable or HD-15 to 3 RCA cable.
- 3. Audio input:** Connect to the audio output of your source devices such as PC or DVD player by using the 3.5mm phone jack audio cable or 3.5mm phone jack to 2 RCA audio cable.
- 4. Audio outputs:** Connect the audio cables from these ports to the audio input of the speaker systems.
- 5. Video outputs:** Connect each of the PC/HD output to the input of the PC or HD display.

## Specification

- \* PC Input \* 1 : RGB 0.7Vp-p 75 ohm HV 5Vp-p 10K ohm
- \* PC Output \* 3 : RGB 0.7Vp-p HV 5Vp-p 10K ohm; or Y : 1Vp-p, PbPr: 0.7Vp-p 75 ohm
- \* Audio Input \* 1 : 2Vrms max 47K ohm
- \* Audio Output \* 3 : 2Vrms max 47K ohm
- \* Video Bandwidth : 480MHz (-3db)
- \* Compatibility: VGA upto UXGA/1080p in RGBHV, RGBs, RGsB, YPbPr formats.
- \* Differential gain : 0.05%
- \* Differential phase : 0.05 degree
- \* Power : 5V 2A
- \* Accessories: 5V power supply, HD-15 to HD-15 video cable, Stereo audio cable.
- \* Dimension (WxHxD) : 141 x 38 x 105mm

## Connection and Installation

### PC Connection



### HDTV Connection

