

1. Introduction

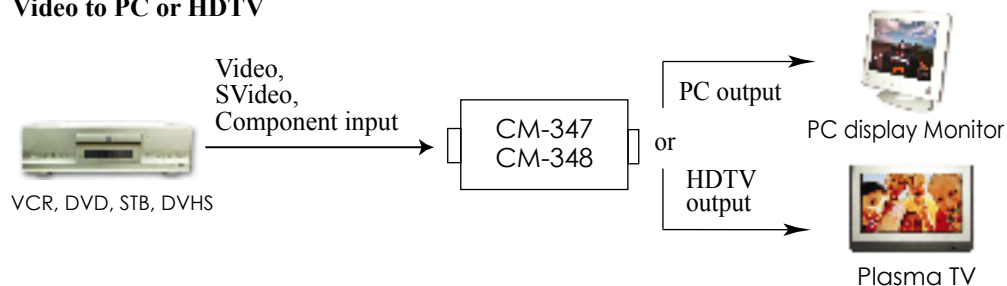
CM-347/CM-348 is designed to convert Composite Video, S-Video YCbCr, and RGBsB, signals to a variety of computer and HDTV resolutions. It accepts video input of all video systems, NTSC, PAL and SECAM. CM-347/CM-348 have many great features to upgrade video source to high resolution PC or HDTV quality and is ideal for use in professional large screen presentation. **CM-348 has DVI digital output.**

2. Features

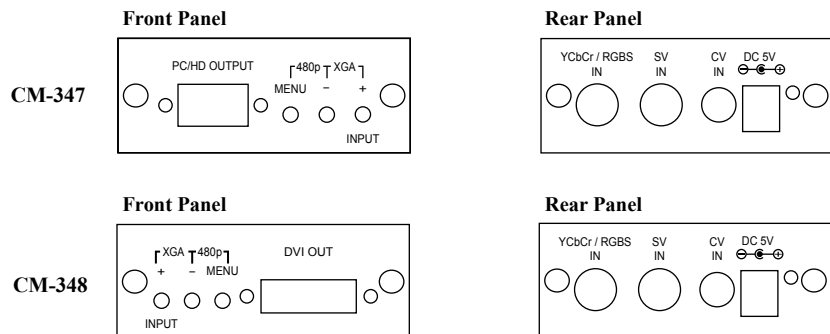
1. Video inputs are 3D de-interlaced and scaled up to PC or HDTV output resolution .
2. Automatically accommodates worldwide input video systems of NTSC 3.58, NTSC 4.43, PAL, PAL M, PAL N, and SECAM.
3. High performance adaptive digital 4H Comb filter Y/C separator with adjustable vertical peaking.
4. Motion compensated deinterlacing algorithms to produce artifact-free progressive scan video signal.
5. Built in adaptive film mode 3:2 / 2:2 pull-down provides clear and crisp de-interlacing of video originating from 24 fps film,such as DVD movies.
6. Frame rate up conversion from 50 up to 85Hz.
7. Vertical temporal filter(VT) removes jaggy and other de-interlacing artifacts from normal video.
8. OSD menu with adjustable control on Color,Sharpness,Brightness,Contrast and Tint(NTSC).
9. Last memory for all adjustments.

3. Operation Connection Block Diagram:

Video to PC or HDTV



4. Operation Controls and Functions



Input/ + : Input signal select

Menu(Enter): Press the Menu button will bring up the OSD menu controls on the screen as follows:

Main Menu

Picture Ajust
Display Setup
Advanced Setup
System information
Exit

+ , - : Use + or - to move the arrow cursor to your desired selection, then press MENU (Enter) to confirm your selection and enter into sub menu.

Press " menu, - " : Reset the output resolution to 480p.

Press " -,+ " : Reset the output to XGA.

5. Specifications

	CM-347	CM-348
Input Signal Levels	Video @ 1Vp-p, 75 ohm, Y @ 1Vp-p, 75ohm Color @ 0.7Vp-p, 75 ohm, YCbCr	
Output Format	YPbPr / HDTV	RGBHV
Output Connector	HD 15 Female	DVI
Output Singnal	RGB @ 0.7Vp-p, H&V Sync @ 3Vp-p, Y @ 1Vp-p, Pb,Pr @ 0.7Vp-p 75 ohm	Digital
Weight	240 grams	270 grams
Dimensions	146 x 77 x 30 mm	161 x 77 x 30 mm
Power Source	5VDC @ 2A	

Output Signal Specifications

PC Resolutions		Vert Rate	Format	Scan Type
VGA	640 X 480	50,60,72,75,85 Hz	RGBHV	Progressive
SVGA	800 X600	50,56,60,72, 75, 85 Hz	RGBHV	progressive
XGA	1024X768	50,60, 70, 75, 85 Hz	RGBHV	Progressive
WXGA	1280X768	50,60 Hz	RGBHV	Progressive
SXGA	1280X1024	50,60 Hz	RGBHV	Progressive
HDTV Resolutions		Vert Rate	Format	Scan Type
480p	720 x 480	50,60 Hz	YPbPr, RGBHV	Progressive
576p	720 x 576	50,60 Hz	YPbPr, RGBHV	Progressive
720p	1280 x 720	50,60 Hz	YPbPr, RGBHV	Progressive
1080i	1920x1080	50,60 Hz	YPbPr, RGBHV	Pseudo Interlance

* CM-347 is analog RGBHV or YPbPr output

* CM-348 is digital RGBHV output

6. What's included

The following items are included in the standard shipping package.

1. The Video to PC/HDTV converter.
2. Video RCA cable x 1.
3. YCbCr RCA x 3 to 8 PIN Din connector x 1.
4. 15-Pin D-Sub PC to PC cable x 1 / CM-347.
5. 15-pin D-Sub to YPbPr 3-RCA adaptor cable x1 / CM-347 / Option.
6. DVI digital cable x 1/ CM-348.
7. AC power adaptor 5V 2A, center positive.