

Video / S-Video to HDMI scaler box

Operation Manual



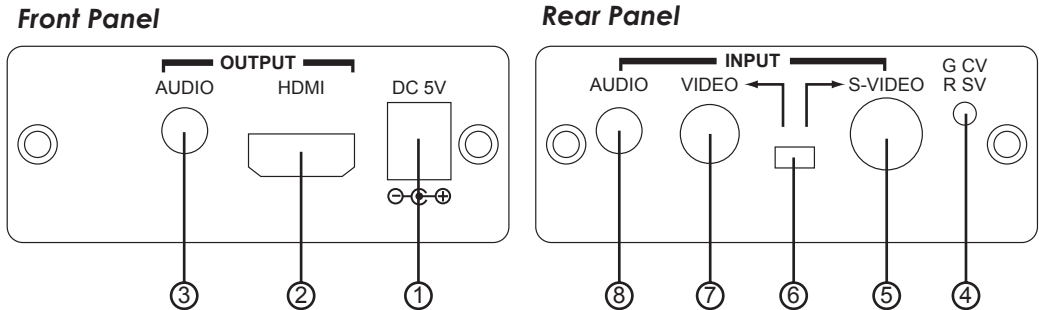
Introduction

A simple plug & play Video / S-Video to HDMI 720p scaler.

Features

1. Scales up Video or S-Video to HDTV 720p format.
2. Automatic lipsync(audio delay) ensures audio video synchronization.
3. 720p HDMI output at 50Hz or 60Hz vertical rate following input vertical rate.
4. Audio is incorporated into HDMI out as well as passthrough to phone-jack output.
5. Input video systems - NTSC3.58 / PAL / RGB 50Hz / RGB 60Hz auto-detection.
6. DVI compatible by using HDMI to DVI adaptor.

Operation Controls and Functions



1. POWER INPUT: Plug the supplied 5V DC power supply into the unit.
The LED will illuminate when connected.
2. HDMI OUT: Connect HDMI output port to the HDMI input of a HDMI display.
3. AUDIO OUT: Stereo L/R out.(Phone-Jack)
4. Indicator LED: Green indicates VIDEO INPUT is selected, Red indicates S-VIDEO INPUT is selected.
5. S-VIDEO INPUT: Connect the S-Video input port to the S-Video output port of your video source, such as DVD player.
6. INPUT Switcher: Use the switcher to select input source between Video and S-Video.
7. VIDEO INPUT: Connect the Video input port to the Video output port of your video source, such as DVD player.
8. AUDIO INPUT: Stereo L/R input. (Phone-Jack)

Specifications

1. INPUT SYSTEMS:

Video System: NTSC3.58 video/PAL video/RGB50Hz/RGB60Hz auto-detection.

Audio System: Analog (L/R) Audio

Analog audio lipsync(audio delay) to video.

Audio delay time is 112ms for 48kHz sampling rate

2. INPUT CONNECTORS:

S-Video x 1, Video x 1, Audio 3.5mm Phone-Jack x 1

3. OUTPUT SYSTEMS:

When inpouts are NTSC3.58/RGB60Hz, the output is 720p 60Hz.

When inpouts are PAL/RGB50Hz, the output is 720p 50Hz.

4. OUTPUT CONNECTORS:

HDMI TYPE-A x1

Audio phone jack x1

5. POWER:

DC 5V/2.6A, center positive

6. DIMENSION: 76.7(W)x151 (D)x30(H)mm

7. WEIGHT: 0.6kgs

Connection and Installation



